

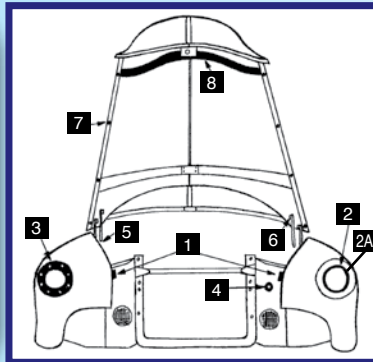
1949-52 HOOD GROMMETS, SEALS, BOLTS & SPRINGS

5 1949-52 HOOD SPRINGS

Replace those sagging hood springs.
Remanufactured to original specifications with black powder coat finish.



ORDER #5356
\$45⁰⁰ pr.



6 1949-54 HOOD BOLTS

Replace one or all four.



Top quality hood bolts made with proper shoulder just like the original.

ORDER #1385
\$4⁵⁰ ea.

SET OF 4
ORDER #1385-4 **\$15⁰⁰**

1949-54 HOOD SPRING REMOVAL TOOL



Using this tool is the best and easiest way to remove old hood springs and install new ones. Comes with instruction sheet.

ORDER #1357
\$40⁰⁰ pr.

7 HOOD GROMMET KIT

Includes all grommets on side of hood, grill bumpers and hood rest bumpers.

ORDER #4601-5
\$15⁰⁰ set



8 HOOD BRACE SEAL

Seals top of radiator to hood when hood is closed.



ORDER #619
\$14⁰⁰



1949-54 HOOD ASSEMBLY KIT

Hood taken apart? Put it back together with this handy kit that has everything you need to do the job.

ORDER 601-25
\$13⁰⁰ pr.

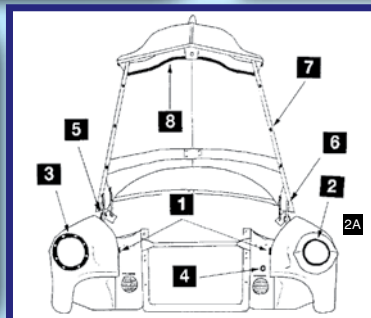
1953-54 HOOD GROMMETS, BOLTS SPRINGS, TOOLS

5 REPLACE THOSE SAGGING HOOD SPRINGS ON YOUR CAR

1953/54 CHEV HOOD SPRINGS

Remanufactured to original specifications.

ORDER #1356
\$45⁰⁰ pr.



6 REPLACE ONE, OR ALL FOUR, IF YOU NEED TO.

1949-54 CHEV HOOD BOLTS

Top quality hood bolts made with proper shoulder just like the original.

ORDER #1385 **\$4⁵⁰** ea.



1949-54 HOOD SPRING REMOVAL TOOL

Using this tool is the best and easiest way to remove old hood springs and install new ones. Comes with instruction sheet.

ORDER #1357
\$40⁰⁰ pr.



7 1953-54 HOOD GROMMET KIT

Includes all grommets on side of hood, grill bumpers and hood rest bumpers.

ORDER #601-5
\$15⁰⁰



8 1949-54 HOOD BRACE SEAL

Goes under bottom of hood as seal between top of radiator and hood.

ORDER #619
\$14⁰⁰

